

SPECIAL FEATURES

- Standard Followed ASME-B 40.1 / EN837-1
- Wetted Parts AISI 316L Stainless Steel
- Build in Stabilizer Movement
- Dry or Liquid Version
- NACE MR 0175 Compliance
- Helium Leak Tested
- 40mm Temperature Compensated Blow Out Disc
- Internal Vacuum/ Over Pressure Stops
- IP 66



SPECIFICATIONS

- Ambient Temperature: -4°F(-20°C) to +150°F(+65°C)
- Process Temperature: Max. 392°F(200°C)
- Operating Pressure Range: 75% of Scale Value
- Over Pressure Limit: 125% of Max. Scale Value
- Case: AISI 304SS
- Joints: Tig Argon Arc Welding
- Socket: AISI 316L SS
- Bourdon: AISI 316L SS
- Movement: AISI 304 SS
- Dial: Aluminum
- Pointer: Micro Zero Adjustable
- Window: Safety Glass
- Range: Vacuum to 10,000PSI

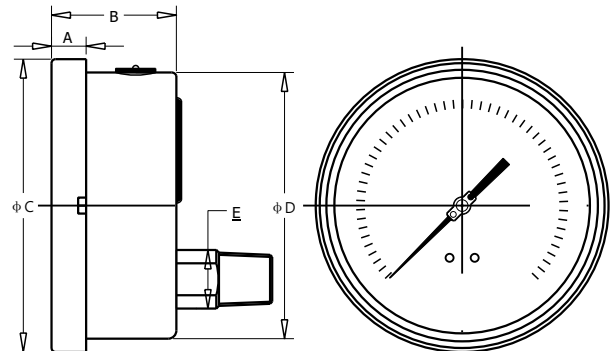
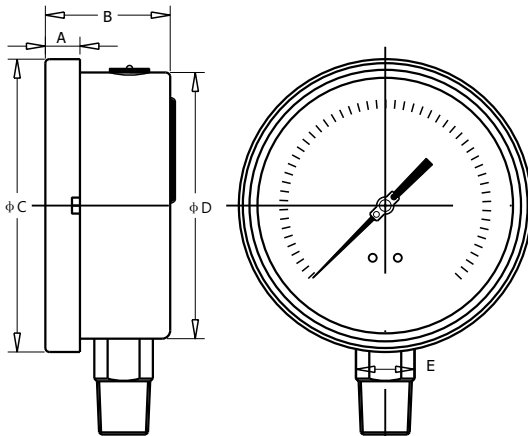
ACCURACY AS PER EN 837.1

4"/4.5"/6" : 1% vfs

*Please consult factory for better accuracy availability.



EN 837.1



NS	A	B	φC	φD	E	Weight (lbs)
4"	0.5"	1.87"	4.4"	4"	0.87"	1.32
4.5"	0.6"	1.87"	5"	4.5"	0.87"	1.50
6"	0.6"	1.87"	6.4"	5.9"	0.87"	2.65

NS	A	B	φC	φD	E	Weight (lbs)
4"	0.5"	1.87"	4.4"	4"	0.87"	1.32
4.5"	0.6"	1.87"	5"	4.5"	0.87"	1.50
6"	0.6"	1.87"	6.4"	5.9"	0.87"	2.65

HOW TO ORDER

Example

NOMINAL SIZE

F	G	H
4"	4.5"	6"

X

TYPE OF MOUNTING

- 1 WALL/SURFACE/PROJECTION MOUNTING WITH BOTTOM
- 2 BOTTOM
- 3 LOWER BACK
- 5 LOWER BACK WITH FRONT FLANGE
- 6 LOWER BACK WITH MOUNTING BRACKET

X

GAUGE CONNECTION

- 2BM** 1/4" BSP(M)
- 2NM** 1/4" NPT(M)
- 3BM** 3/8" BSP(M)
- 3NM** 3/8" NPT(M)
- 4BM** 1/2" BSP(M)
- 4NM** 1/2" NPT(M)
- 4MM** M20 X 1.5(M)

***Please consult factory for any special connections

XXX

RANGE

CODE	E1	E2	E3	E4	E5	E6	E7	E8	E9	E10	E11	E12	E13	E14
RANGE (psi)	-30"hg	-30"hg-15	-30"hg-30	-30"hg-60	-30"hg-100	-30"hg-160	-30"hg-200	-30"hg-300	15	30	60	100	160	200
CODE	E15	E16	E17	E18	E19	E20	E21	E22	E23	E24	E25	E26	E27	E28
RANGE (psi)	300	400	500	600	800	1000	1500	2000	3000	4000	5000	6000	7500	10000

E13

OPTIONAL EXTRAS

- | | |
|---|--|
| SG OXYGEN SERVICE (FOR DRY VERSION) | ZM ELECTRO POLISHED CASE & BEZEL |
| OA ACCURACY + 0.5% OF F.S. | CK EPOXY PAINTED CASE & BEZEL |
| TI MONEL BOURDON & SOCKET (MONEL VERSION) | SQ CASE WITH ROLLING TYPE BEZEL |
| TF TESTED TO NACE STANDARD | OS CASE WITH BAYONET TYPE BEZEL |
| TB HELIUM LEAK TEST | PS AISI 316 SS CASE & BEZEL |
| SD AISI 316 SS MOVEMENT | KA ON-OFF TYPE VENT PLUG |
| SF MOVEMENT WITH DAMPENING JELLY | SX SS TAG PLATE |
| RI 25mm BOD | SY AISI 316SS TAG PLATE |
| SI KNIFE EDGE POINTER | SA INTERNAL OVERPRESSURE STOP |
| FN 2" PIPE/YOKE MOUNTING BRACKET & 'U' CLAMP (AISI 316 SS) | SB INTERNAL VACUUM STOP |
| RG ANTI PARALLAX MIRROR BAND DIAL | ZL OVER RANGE PROTECTION |
| RH CUSTOM DESIGNED DIAL | QB INTEGRAL DAMPENING SCREW (AISI 316 SS) |
| ZB RECEIVER RANGE | FL INTEGRAL DAMPENING SCREW (MONEL) |
| AT ATEX (AS PER 2014/34/EU) | FS FILLABLE LIQUID SILICON OIL |
| ZC FREON RANGE (WITH TEMPERATURE SCALE) | FG FILLABLE LIQUID GLYCERINE |
| ZD AMMONIA RANGE (WITH TEMPERATURE SCALE) | ZZ DIELECTRIC OIL FILLED |
| SW DIAL TAG MARKING | PX DAMPENING LIQUID FLOUROLUBE FILLED |
| RW PLEXI GLASS | PY DAMPENING LIQUID GLYCERINE OIL FILLED |
| RX SHATTERPROOF /SAFETY GLASS | PZ DAMPENING LIQUID MINERAL LIQUID FILLED |
| RZ TOUGHENED GLASS | QA DAMPENING LIQUID SILICON OIL FILLED |
| SJ MAXIMUM READING POINTER WITH PLEXI GLASS FILLABLE VERSION | GH MATERIAL TEST CERTIFICATES |
| | PW FIVE POINT CALIBRATION CERTIFICATE NATIONAL/ INTERNATIONAL STANDARDS |

XX

Ordering Example: TKP-11-X-X-XXX-(E13)-XX